

DRSE Roto Sifter

High Throughput Centrifugal Sifter

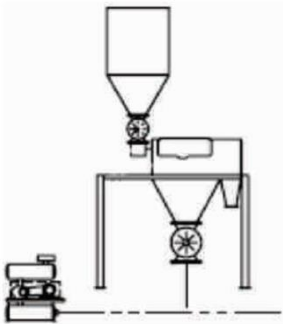
DRSE Roto Sifter is ideal for handling wide variety of powder, granules and other free-flowing materials. This Centrifugal Sifter is a compact, hygienic design giving both high efficiency and high capacity sieving.



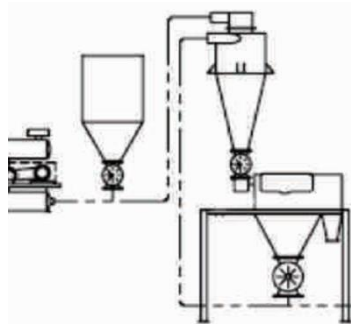
FEATURES & BENEFITS

- Dust free operations.
- No vibration and noise level less than 80DB.
- Flexible design to reduce floor space.
- Easy to clean and maintain.
- Hygienic & highly efficient machine design.
- Easy to inspect mesh frame at 360°.
- Direct drive design reduces maintenance cost.
- No leakage or contamination at the oversize end.
- User friendly screen frame assembly.

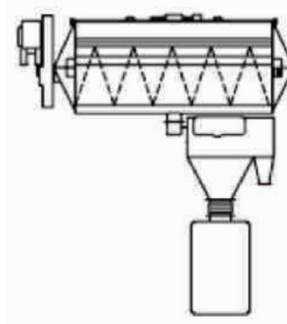
ADDITIONAL FEATURES



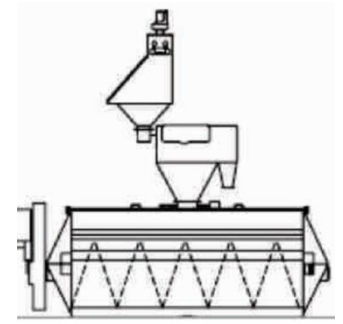
Shifting from bulk receiver prior to pneumatic transfer



Inline Sifting

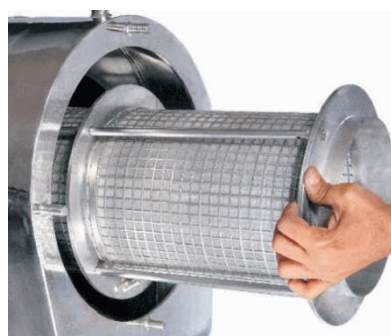


Shifting after blending prior to packing



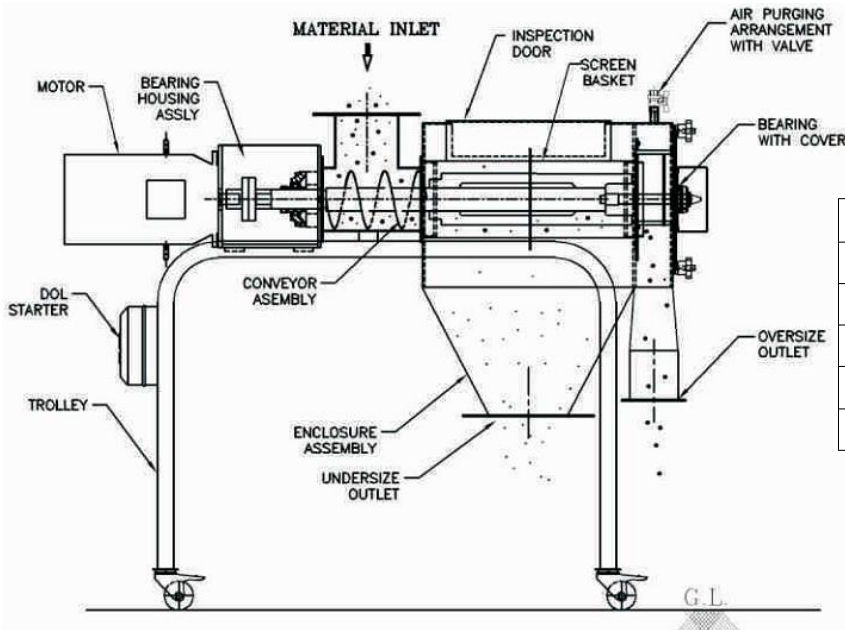
Sifting minor ingredients prior to blending

EASY TO CLEAN



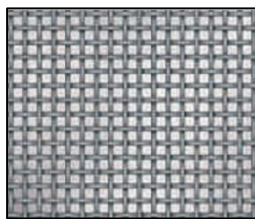
The internals of the sifter can be removed quickly and without the use of tools. This helps in easy and quick cleaning.

SPECIFICATIONS

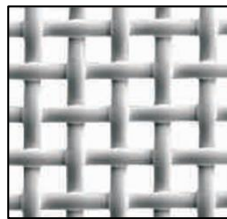


Model	DRSE-RS-500
Motor Power	2 Hp
Size	1650 L x 500 W x 1495 H
Input Diameter	6" NB Flange
Oversize Output	5" NB Flange
Undersize Output	8" NB Flange

BASKET OPTIONS

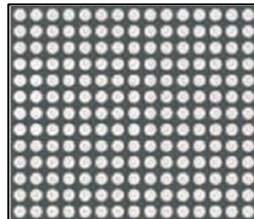


Metallic Square Woven Wire Mesh

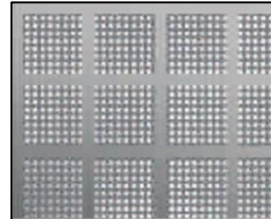


Polymer Mesh

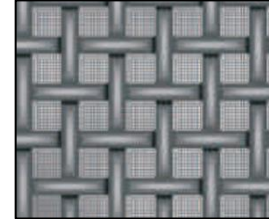
For Increased Mesh Life



Perforated Plate



Fine Mesh with Backup Perforated Plate



Fine Mesh with Backup Coarse Mesh

APPLICATIONS

- ✓ Spices
- ✓ Gypsum
- ✓ Talc
- ✓ Limestone
- ✓ Sulphate
- ✓ Detergent
- ✓ Food Additives
- ✓ Copper Powder
- ✓ Chemical Powder
- ✓ Zinc Stearate
- ✓ Quartz Powder
- ✓ Pharma Powder
- ✓ Aluminum Hydrate
- ✓ Lactose Powder
- ✓ Metallic Salts
- ✓ Milk Powder
- ✓ Rice Bran
- ✓ Chocolate and more...

INDUSTRIES



PHARMACEUTICALS



FOOD



CHEMICALS



PLASTICS



DYES & PIGMENTS

10 Prawit Lae Phuan Soi 16, Bangchak, Prakanong, Bangkok 10260, Thailand

Tel : 02-746-1869 Fax : 02-746-1290 E-mail : am.drsonic@gmail.com

www.drsonics.com